



ODU ROB



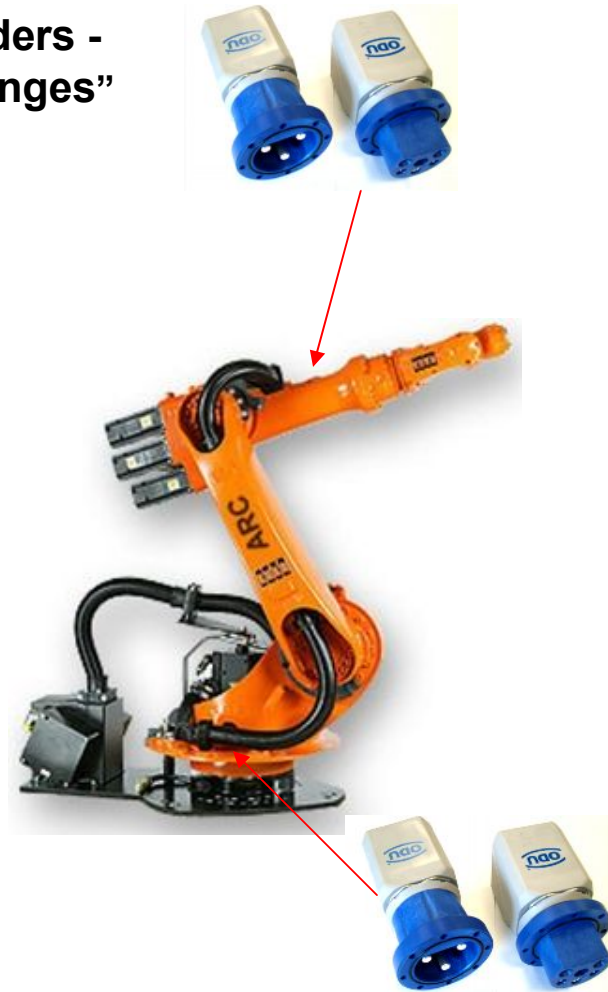


Confidential



ODU ROB for many different Industrial applications and Robot systems

ODU ROB in application at robot welders -
used as connection between the “hinges”





ODU ROB for many different Industrial applications and Robot systems

The cable sets between the switch cabinet and the electrode holders, which in some cases are subjected to high mechanical loads, can be constructed in modules by using connectors.

In case of damage, the tube packages can consequently be partially and quickly exchanged.

ODU ROB is particularly suited to this purpose.

The simple installation and flexible design make rapid setup or exchange possible and so reduce operating costs.





ODU ROB at a glance

- Easy assembly by latching of the contacts.
- IP 67 in mated condition.
- Flammability UL 94-V0.
- Additional reliability through patented „double wave lamella“.
- Pilot-contacts possible.
- Very good electrical and geometrical characteristics.
(Rating up to 800 VAC)
- Cable housing is rotatable in each direction –
you can choose straight and right-angled cable exit.
- Easy assembly of the cable housing.
- metric screw threads for cable connection





Technical data ODU ROB

ODU ROB – protection class IP 67	
Size 180 A – Type 656 424	
Contact diameter:	ø 8 mm
Number of poles:	2-pole + PE 2 pilot contacts (advanced)
Voltage DIN certified:	800 V / 6 kV / 3
Nominal current:	max. 180 A (dependent on wire cross section)
Materials - Contacts:	Cu-alloy – silvered, with patented „double wave“ lamella
- Housing:	PBT – UL 94-V0
Operating temperature: - 40 °C bis + 125 °C	





Technical data ODU ROB

ODU ROB – protection class IP 67	
Size 135 A – Type 656 425:	
Contact diameter:	ø 6 mm
Number of poles:	2-pole + PE 2 pilot contacts (advanced)
Voltage DIN certified:	800 V / 6 kV / 3
Nominal current:	max. 135 A (dependent on wire cross section)
Materials - Contacts:	Cu-alloy – silvered, with patented „double wave“ lamella
- Housing:	PBT – UL 94-V0
Operating temperature: - 40 °C bis + 125 °C	



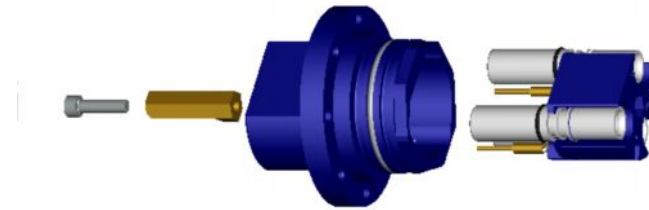


ODU ROB – Assembly - information

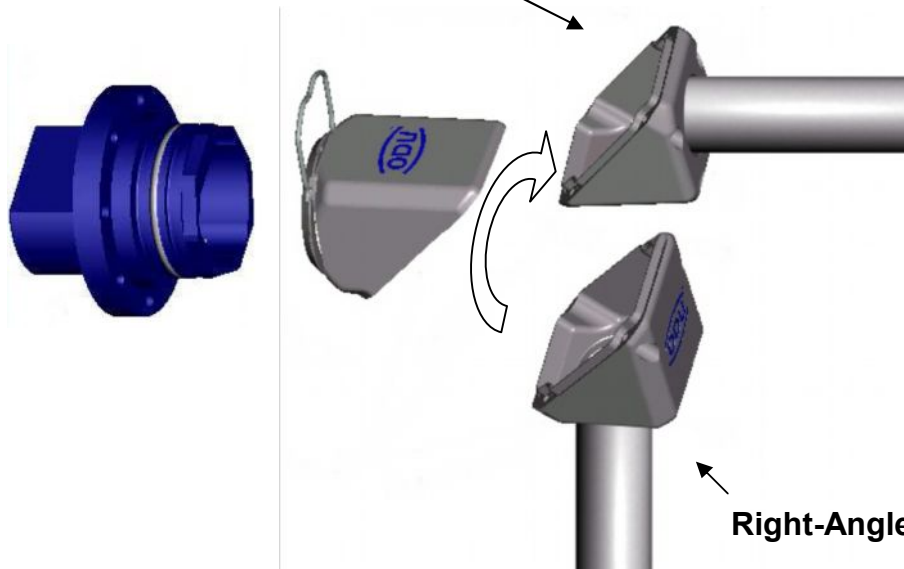
1. Clip in crimped contacts.



2. Push insert in the insulation body



Straight cable exit



3. Put assembled insert in the cable housing.
Here you can choose right angle or straight cable exit by turn the second part of the housing
Both exit's are possible with the same housing!

4. Fasten all screws.





ODU ROB

- An important building block for increasing flexibility and automation in robots with various assignments.
- A true alternative to the systems on the market
- Simple installation and a properly thought-out system solution allow reduced costs
- Interchangeable connectors or contacts reduce maintenance efforts.



Just ask us!!!

Further information:

**ODU Steckverbindungssysteme GmbH & Co. KG /
Otto Dunkel GmbH**

Pregelstraße 11

D – 84453 Mühldorf am Inn

Phone.: +49/8631/6156-0

Fax: +49/8631/6156-49

E-Mail: zentral@odu.de

www.odu.de